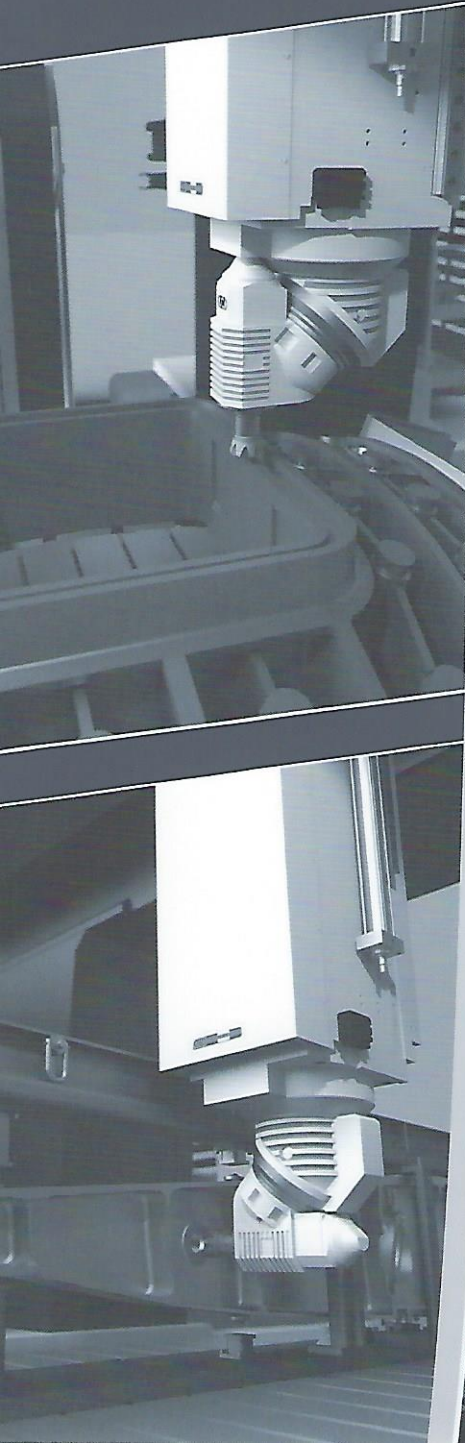


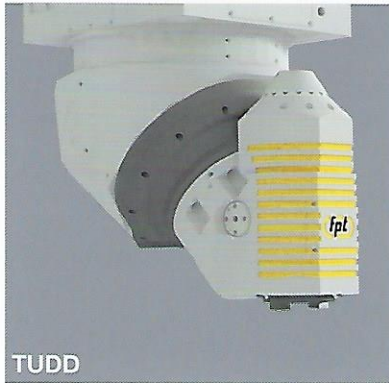
NEW MODEL

inomek

GANTRY VERTICAL
MILLING MACHINE



SINGLE - HEADS



TUDD

Taper	Pos. (°)	S (rpm)
ISO 50 HSK A100	Continuous	5.000



TTW21

Taper	Pos. (°)	S (rpm)
HSK A100	Continuous	14.000
Taper	Pos. (°)	S (rpm)
HSK A63	Continuous	18.000 / 22.000 / 28.000

INTERCHANGEABLE HEADS



SELS HP

Taper	S (rpm)
ISO 50 HSK A100	4.000



TO144/360 - 37

Taper	Pos. (°)	S (rpm)
ISO 50 HSK A100	2,5° 1°	3.000



TU144 / TUPC

Taper	Pos. (°)	S (rpm)
ISO 50 HSK A100	2,5° 0,001°	5.000



TTWM

Taper	Pos. (°)	S (rpm)
ISO 50 HSK A100	Continuous	5.000



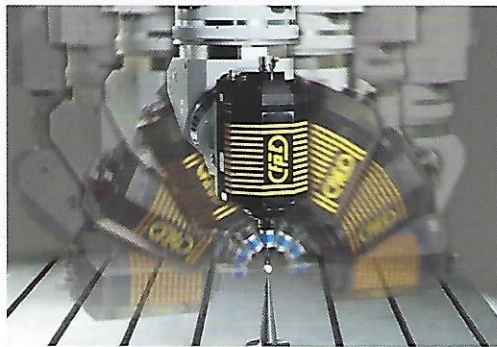
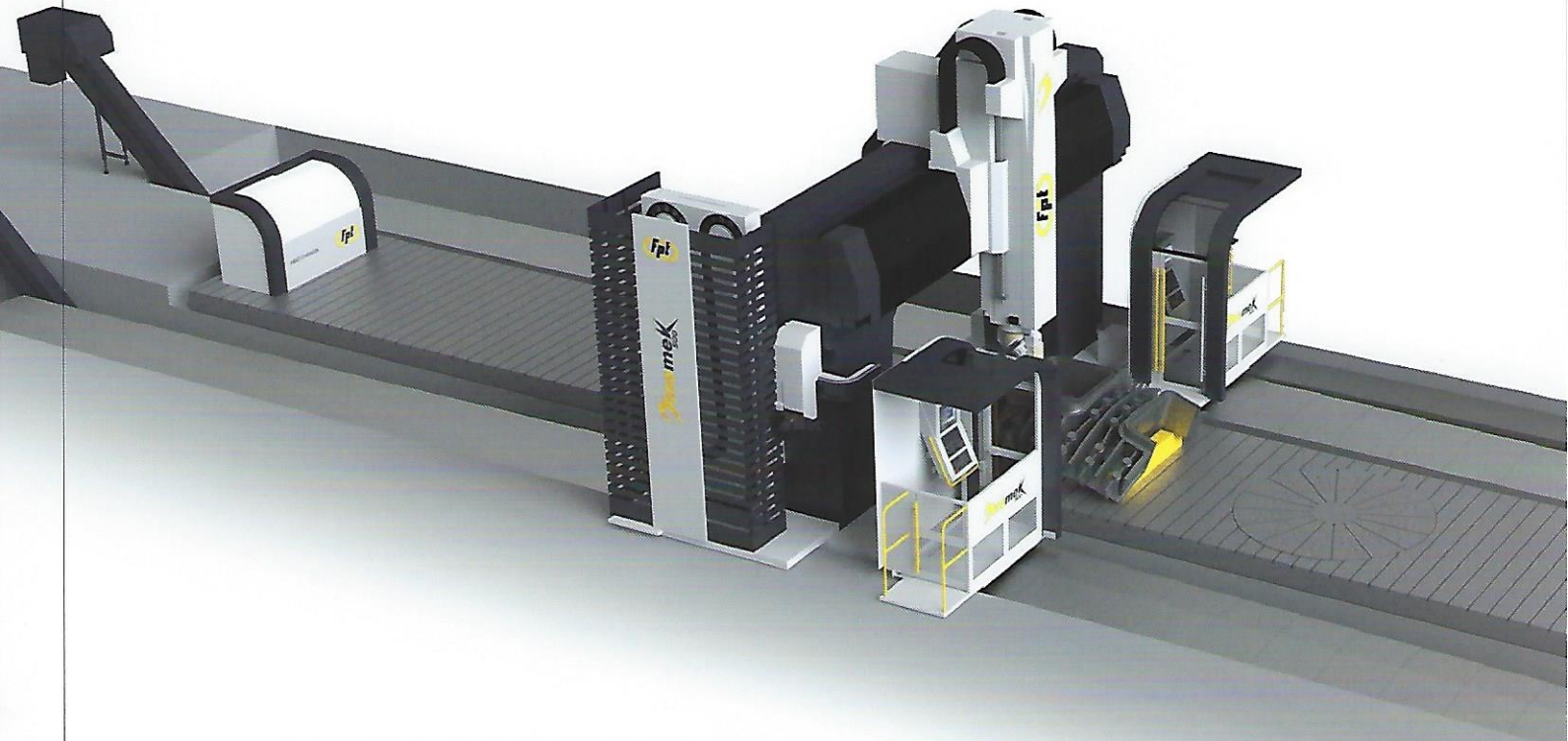
TAEMO

Taper	Pos. (°)	S (rpm)
HSK A63	1°	18.000



TTW20

Taper	Pos. (°)	S (rpm)
HSK A63	Continuous	18.000 / 22.000



TECHNICAL DATA

Modelli - Models - Modelle - Modèles		DINOMEK 400		DINOMEK 500	
Corse <i>Travels</i> Verfahrwege <i>Courses</i>	- Longitudinale - <i>Longitudinal</i> - Längs - <i>Longitudinale</i>		≥ 6.000 (236,2)		
	- Trasversale - <i>Cross</i> - Quer - <i>Transversale</i>	mm (in)	4.000 (157,5)	5.000 (196,9)	
	- Verticale - <i>Vertical</i> - Vertikal - <i>Verticale</i>		1.500 - 1.750 - 2.000 (59 - 68,9 - 78,7)		
	- Velocità di avanzamento - <i>Feed rate</i> - Vorschubgeschwindigkeit - <i>Vitesse d'avance</i>	mm/min (in/min)	up to 40.000 (1.574,8)		
Mandrino Spindel Spindel Broche	- Potenza massima - <i>Max Power</i> - Max Leistung des Motors - <i>Puissance max</i>	kW (Hp)	up to 42 (56,3)		
	- Coppia massima mandrino - <i>Max torque</i> - Max. Spindeldrehmoment - <i>Couple max</i>	Nm (lbf.ft)	up to 1.180 (870,3)		

Tavole rotanti - Rotating tables - Drehtische - Tables rotatives

		TRF30	TRF50	TRF75	TRF100	TRF120
Dimensioni <i>Dimensions</i> Abmessungen <i>Dimensions</i>	MIN mm (in)	2.000 x 2.500 (78,7 x 98,4)	2.500 x 2.500 (98,4 x 98,4)	2.500 x 2.500 (98,4 x 98,4)	3.000 x 3.000 (118,1 x 118,1)	3.000 x 3.000 (118,1 x 118,1)
	MAX mm (in)	2.500 x 3.000 (98,4 x 118,1)	3.000 x 3.500 (118,1 x 137,8)	4.000 x 4.000 (157,5 x 157,5)	5.000 x 5.000 (196,9 x 196,9)	5.000 x 5.000 (196,9 x 196,9)
Portata <i>Loading capacity</i> Tischlast <i>Capacité de poids</i>	kg (lb)	30.000 (66.138)	50.000 (110.231)	75.000 (165.347)	100.000 (220.462)	120.000 (264.554)
Rotazione - <i>Rotation</i> Rotation - <i>Rotation</i>		Hydrostatic	Hydrostatic	Hydrostatic	Hydrostatic	Hydrostatic



Hydrostatic Turning System - Table type		TT30	TT40	TT60	TT80
Dimensioni - <i>Dimensions</i> Abmessungen - <i>Dimensions</i>	mm (in)	3.000 (118,1)	3.500 (137,8)	4.000 (157,5)	4.500 (177,2)
Portata - <i>Loading capacity</i> Tischlast - <i>Capacité de poids</i>	kg (lb)	30.000 (66.139)	40.000 (88.185)	60.000 (132.277)	80.000 (176.370)
Massima potenza - <i>Max power</i> Max. Leistung - <i>Puissance maxi</i>	kW (Hp)	60 (80,5)	100 / 150 (134,1 / 201,2)	100 / 150 (134,1 / 201,2)	126 / 160 (169,0 / 214,6)
Tipo di cuscinetto - <i>Type of Bearing</i> Lagertyp - <i>Palier</i>		Hydrostatic	Hydrostatic	Hydrostatic	Hydrostatic
Max. velocità di rotazione - <i>Max. speed rotation</i> Maximale Drehzahl - <i>Max vitesse de rotation</i>	g/min r.p.m.	180	120	120	100

Dati e caratteristiche del presente catalogo non sono impegnativi. Il costruttore si riserva di modificarli senza preavviso in qualsiasi momento. - Data and features in the present catalogue are not binding. The producer reserves the right to alter them without advance notice at any time. - Die in diesem Katalog angeführten Daten und Angaben sind unverbindlich. Der Hersteller behält sich das Recht zur Änderung ohne vorherige Benachrichtigung vor. - Les données et caractéristiques du présent catalogue ne sont pas un engagement. Le constructeur se réserve de modifier celles-ci sans préavis à n'importe quel moment.

FPT INDUSTRIE 03-2017



Thinking heads!

Join the future!

COMPANY WITH
QUALITY SYSTEM
CERTIFIED BY DNV
= ISO 9001 =



FPT INDUSTRIE S.P.A.

VIA ENRICO FERMI, 18
I-30036 S.MARIA DI SALÀ
VENEZIA - ITALY
TEL. +39-041-5768111
FAX +39-041-487528 AUTOMATICO
info@fptindustrie.com

FPT NORTH AMERICA INC.

37046 INDUSTRIAL RD.,
LIVONIA, MI 48150, USA
TEL. +1-734-4668555
FAX +1-734-4668690
info.america@fptindustrie.com

FPT DEUTSCHLAND AG

ENZINGER STRASSE 139
D-67551 WORMS
TEL. +49-6247-2380010
FAX +49-6247-238002010
info.germany@fptindustrie.com

FPT CHINA WFOE

1ST FLOOR, BUILDING 31,
NO.3199, ZHENBEI ROAD,
PUTUO DISTRICT,
SHANGHAI CITY, 200331
TEL. +86-021-56200261
+86-021-56200262
FAX +86-021-56200263
info.china@fptindustrie.com

FPT RUSSIA

119019 MOSCA
NASHCHOKINSKIY PER., 12
TEL. +7-495-6950618
FAX +7-495-6950625
info.russia@fptindustrie.com



FPTINDUSTRIE.COM

